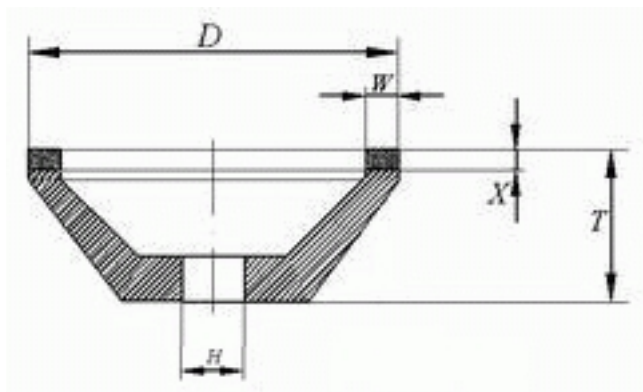


Dished Grinding-wheels (Taper Cup Grinding-wheels No.1)

Écrit par YingLong

Vendredi, 13 Octobre 2006 00:50 - Mis à jour Mardi, 18 Mars 2014 15:35



roues bombés

(roues de broyage de coupe conique No.1)

Code:12A2/45°(BM₁)

Liant: B.M(S.Q)

Taille (mm)

Diamond/CBN Content (carat/pi	è	ce)
-------------------------------	---	-----

D		T	H	W	X	50	75	100
50	20	10	2	3	1.99	2.99	3.98	
75	24	20	3	2	2.99	4.48	5.97	
75	25	20	3	3	4.48	6.72	8.96	
75	26	20	3	4	5.97	8.96	11.94	
75	28	20	3	5	8.96	13.44	17.92	

Dished Grinding-wheels (Taper Cup Grinding-wheels No.1)

Écrit par YingLong

Vendredi, 13 Octobre 2006 00:50 - Mis à jour Mardi, 18 Mars 2014 15:35

75	24	20	5	2	4.84	7.26	9.68
75	25	20	5	3	7.26	10.89	14.52
75	26	20	5	4	9.68	14.51	19.35
75	28	20	5	6	14.52	21.77	29.03
75	24	20	6	2	5.72	8.58	11.45
75	25	20	6	3	8.58	12.88	17.17
75	26	20	6	4	11.45	17.17	22.89
75	28	20	6	6	17.17	25.75	34.34
80	24	20	3	2	3.19	4.79	6.39
80	25	20	3	3	4.79	7.18	9.58
80	26	20	3	4	6.39	9.58	12.77
80	28	20	3	6	9.58	14.37	19.16
80	24	20	5	2	5.18	7.78	10.37
80	25	20	5	3	7.78	11.66	15.55
80	26	20	5	4	10.37	15.55	20.73
80	28	20	5	6	15.55	20.73	31.10
100	31	20	3	2	4.02	6.03	8.05
100	32	20	3	3	6.03	9.05	12.07
100	33	20	3	4	8.05	12.07	16.09
100	35	20	3	6	12.07	18.10	24.14
100	31	20	5	2	6.67	9.85	13.13
100	32	20	5	3	9.85	14.77	19.70
100	33	20	5	4	13.13	19.70	26.26
100	35	20	5	6	19.70	29.55	39.40
100	31	20	10	2	12.44	18.66	24.88
100	32	20	10	3	18.66	27.99	37.32
100	33	20	10	4	24.88	37.32	49.76
100	35	20	10	6	37.32	55.98	74.64
125	31	32	5	2	8.29	12.44	16.59
125	32	32	5	3	12.44	18.66	24.88
125	33	32	5	4	16.59	24.88	33.18
125	35	32	5	6	24.88	37.32	49.76
125	31	32	10	2	15.90	23.85	31.79
125	32	32	10	3	23.85	35.77	47.69
125	33	32	10	4	31.79	47.69	63.59
125	35	32	10	6	47.69	71.54	95.38
150	32	32	5	2	10.02	15.03	20.04
150	32	32	5	3	15.03	22.55	30.07
150	33	32	5	4	20.04	30.07	40.09
150	35	32	5	6	30.07	45.10	60.13
150	31	32	10	2	19.35	29.03	38.70
150	32	32	10	3	29.03	43.54	58.06
150	33	32	10	4	38.70	58.06	77.41
150	35	32	10	6	58.06	87.09	116.12
150	25	32	15	2	27.99	41.99	55.98
150	26	32	15	3	41.99	62.98	83.97

Dished Grinding-wheels (Taper Cup Grinding-wheels No.1)

Écrit par YingLong

Vendredi, 13 Octobre 2006 00:50 - Mis à jour Mardi, 18 Mars 2014 15:35

150	27	32	15	4	55.98	83.97	111.97
150	29	32	15	6	83.97	125.96	167.95
175	27	32	6	2	14.02	21.02	42.05
175	28	32	6	3	21.02	31.54	56.06
175	29	32	6	4	28.03	42.05	84.10
175	31	32	6	6	42.05	63.08	45.62
175	27	32	10	2	22.81	34.21	68.62
175	28	32	10	3	34.21	51.32	68.42
175	29	32	10	4	45.62	68.42	91.23
175	31	32	10	6	68.42	102.64	136.85
175	27	32	15	2	33.18	49.76	66.35
175	28	32	15	3	49.76	74.65	99.53
175	29	32	15	4	66.35	99.53	132.70
175	31	32	15	6	99.53	149.29	199.06
200	27	32	13	2	33.60	50.41	67.21
200	28	32	13	3	50.41	75.61	100.81
200	29	32	13	4	67.21	100.81	134.42
200	31	32	13	6	100.81	151.22	201.62
200	27	32	15	2	38.36	57.54	76.72
200	28	32	15	3	57.54	86.31	511.08
200	29	32	15	4	76.72	115.08	153.44
200	31	32	15	6	115.08	172.62	230.16
200	27	32	20	2	49.76	74.65	99.53
200	28	32	20	3	74.65	111.97	149.29
200	29	32	20	4	99.53	149.29	199.06
200	31	32	20	6	149.29	223.93	298.58